

PROFIBUS PROFI232-1



PROFIBUS1S



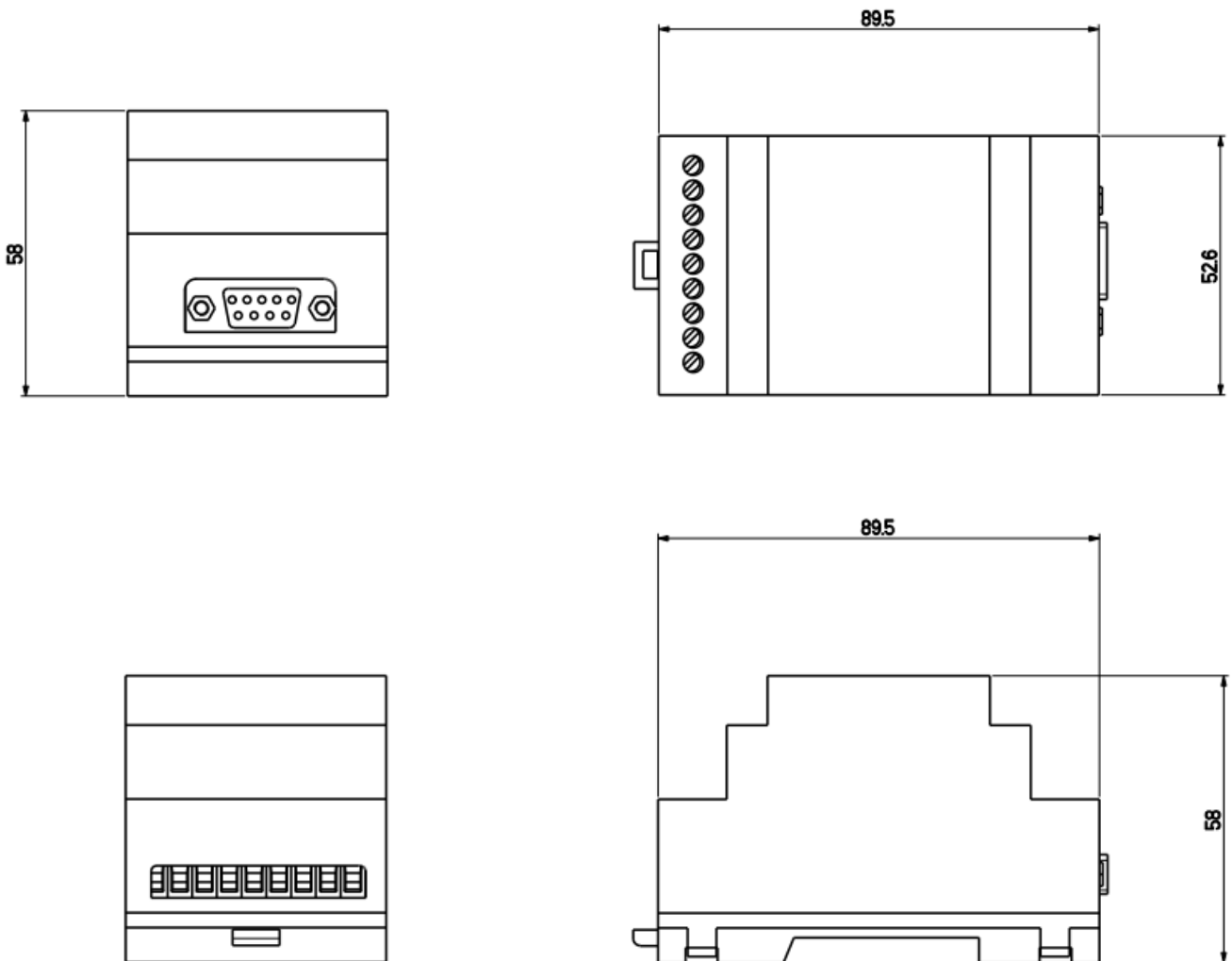
INDEX

| | |
|---|----------|
| 1. MAIN TECHNICAL SPECIFICATIONS | 3 |
| 2. DIMENSIONS..... | 3 |
| 3. EARTHING MODULE | 4 |
| 4. CONNECTION SCHEMES | 5 |

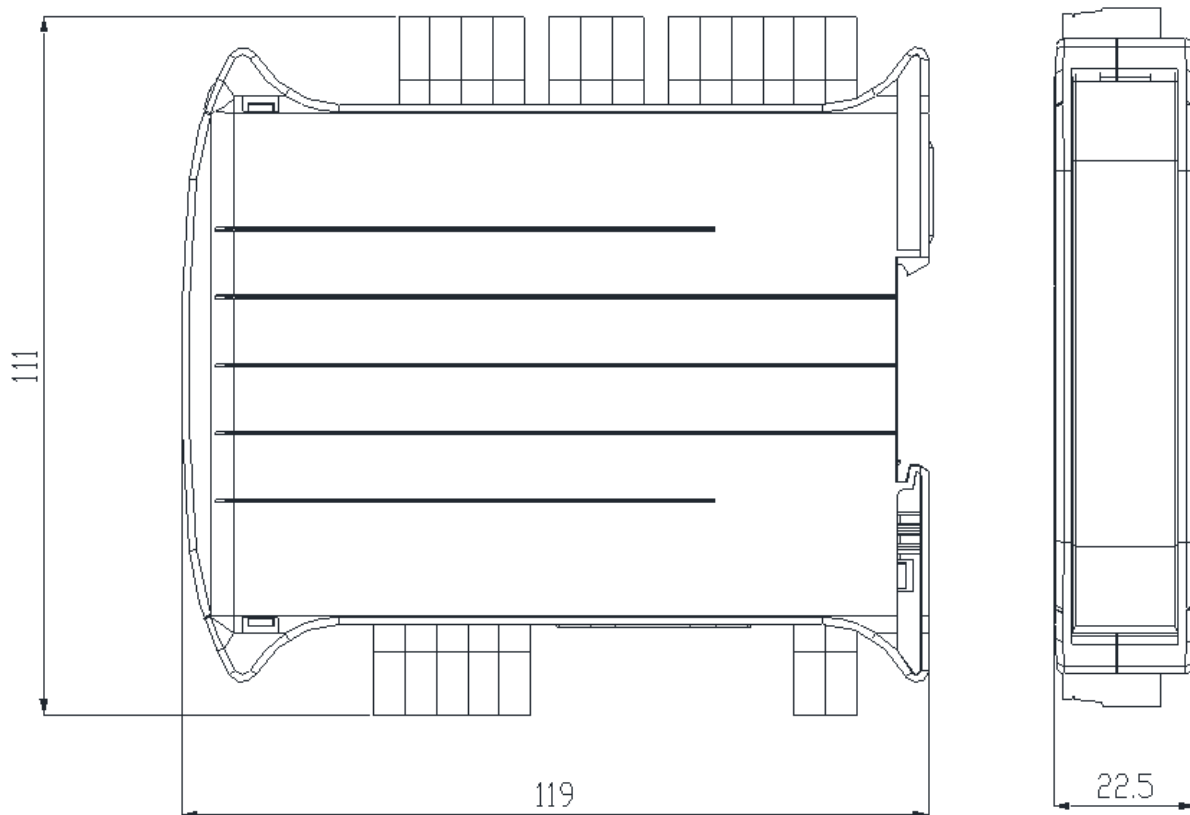
1. MAIN TECHNICAL SPECIFICATIONS

| | |
|-----------------|--|
| POWER SUPPLY | 12÷24 Vdc on terminal board or 5Vdc on internal AMP connector |
| ABSORPTION | max 0,5 A |
| SERIAL | RS232 on terminal board and internal AMP connector |
| FIELDBUS | PROFIBUS-DP, female 9 pins connector |
| CASE | Plastic console suitable for mounting on DIN bar or on the wall. |
| BOARD DIMENSION | 50x87mm |

2. DIMENSIONS



PROFIBUS1S



3. EARTHING MODULE

For the right earthing and the optimal functioning of the module, connect itself to the earth through copper cables having at least a 16 mm² cross-section.

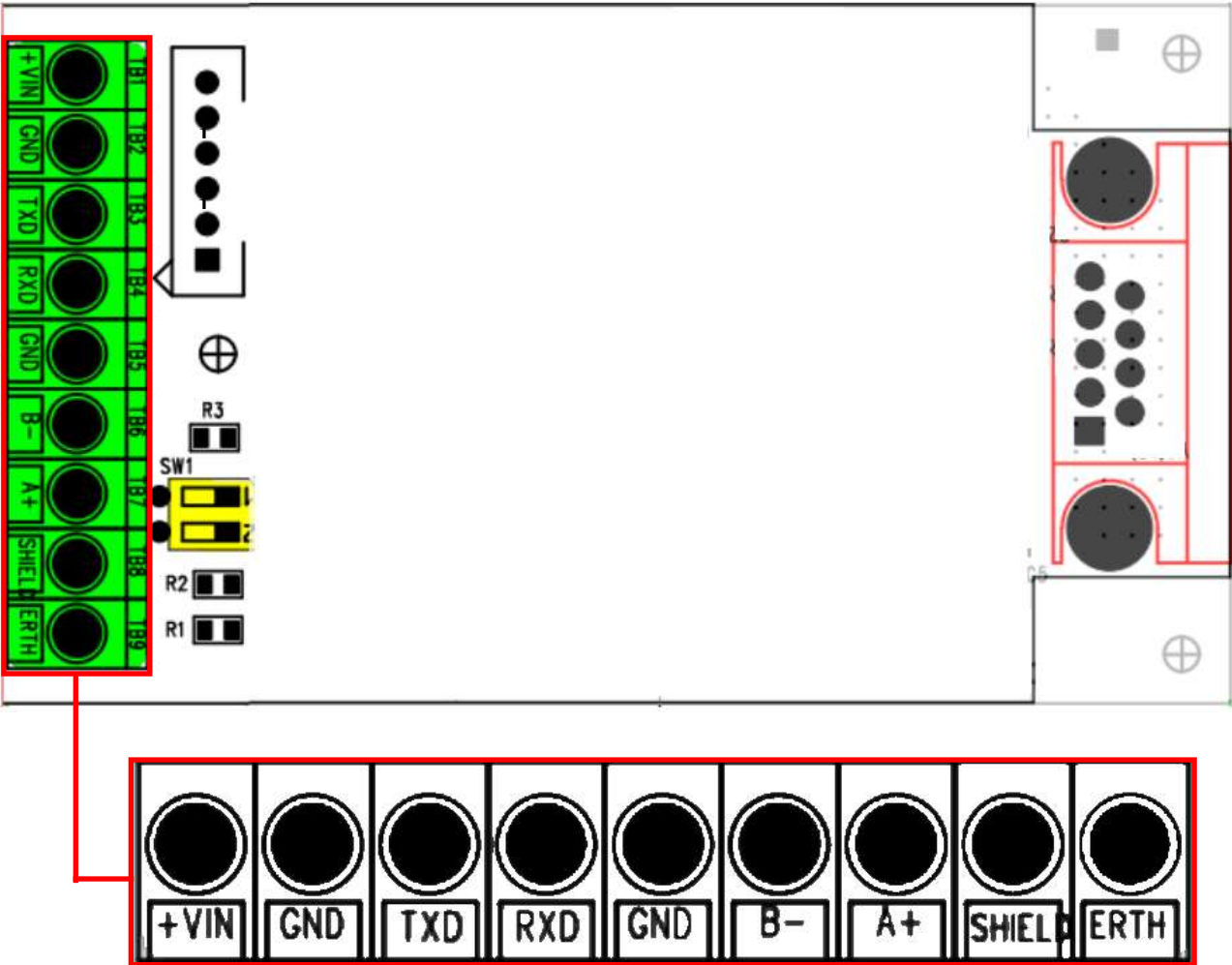
To avoid possible side effects, the earth references of the connection and power supply cable of the indicator and of the connected instrument must be at the same potential.

GENERAL NOTES:

- Use Earth plate of suitable length, in order to obtain a total resistance of earthing plant lower than 1 Ω .
- One should check and remove, if necessary, the connection between the earth and the neutral wire of the electrical installation.

4. CONNECTION SCHEMES

PROFI232-1



MEANING OF MOTHER BOARD TERMINAL BOARDS AND JUMPER

12÷24 Vdc POWER SUPPLY

1 (+Vdc) +12÷24 Vdc
2 (GND) 0Vdc (GND)

RS232 SERIAL

3 (TXD) TX
4 (RXD) RX
5 (GND) GND

RS485 SERIAL

6 (B-) B
7 (A+) A

EARTHING

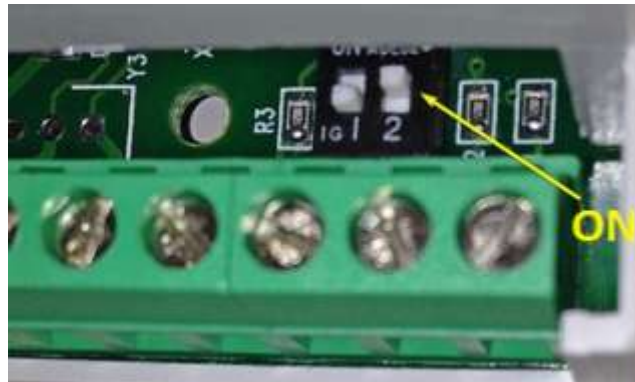
8 (SHIELD) SHIELD
9 (ERTH) EARTH

Y2 AMP

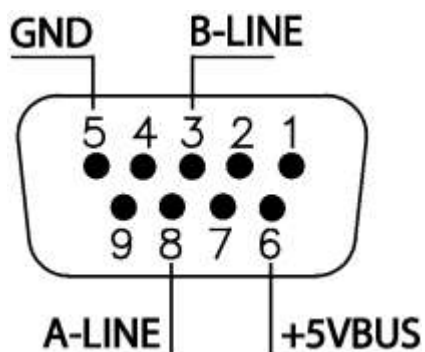
1 RX
2 TX
4 +5Vdc
6 GND

SW1 DIP SWITCH

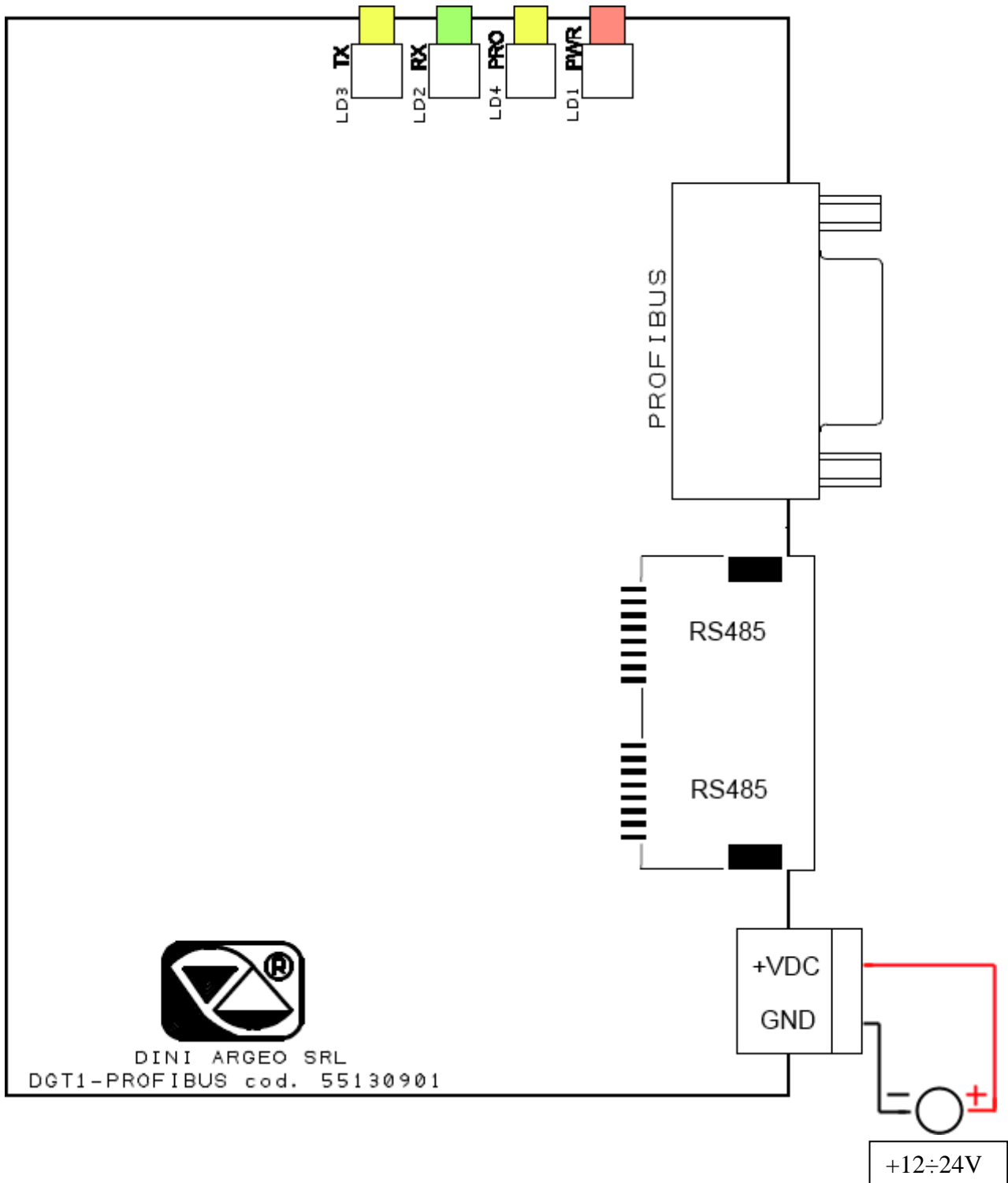
- 1 Enable the 120 Ω termination resistance
- 2 Enable the retrocompatibility with Profi232 mudules



MEANING OF DB9 PROFIBUS CONNECTOR (Y4)



PROFIBUS1S



POWER SUPPLY 12÷24 Vdc

| | |
|----------|------------|
| 1 (GND) | 0Vdc (GND) |
| 2 (+Vdc) | +12÷24Vdc |

RS485 SERIAL CONNECTOR

| | |
|--------|----|
| 4 (A+) | A+ |
| 5 (B-) | B- |

MEANING OF DB9 PROFIBUS CONNECTOR (Y1)

